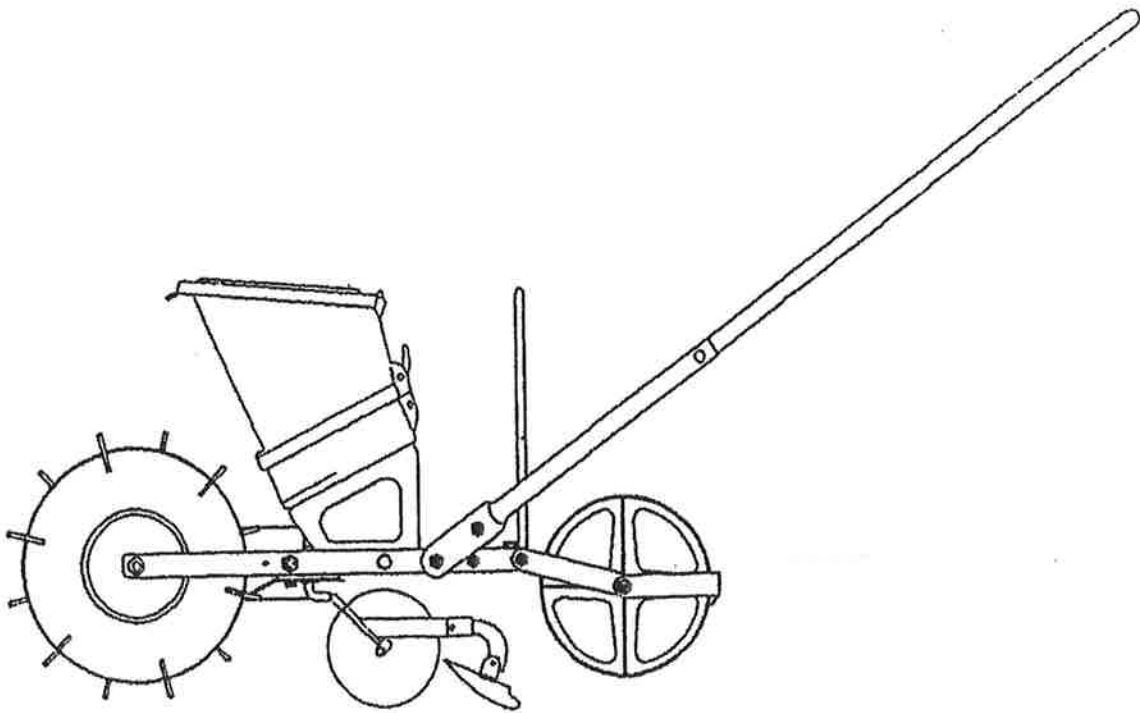


# CLEAN SEEDER

## Manual Disk Type Seeder

■ User's Manual ■



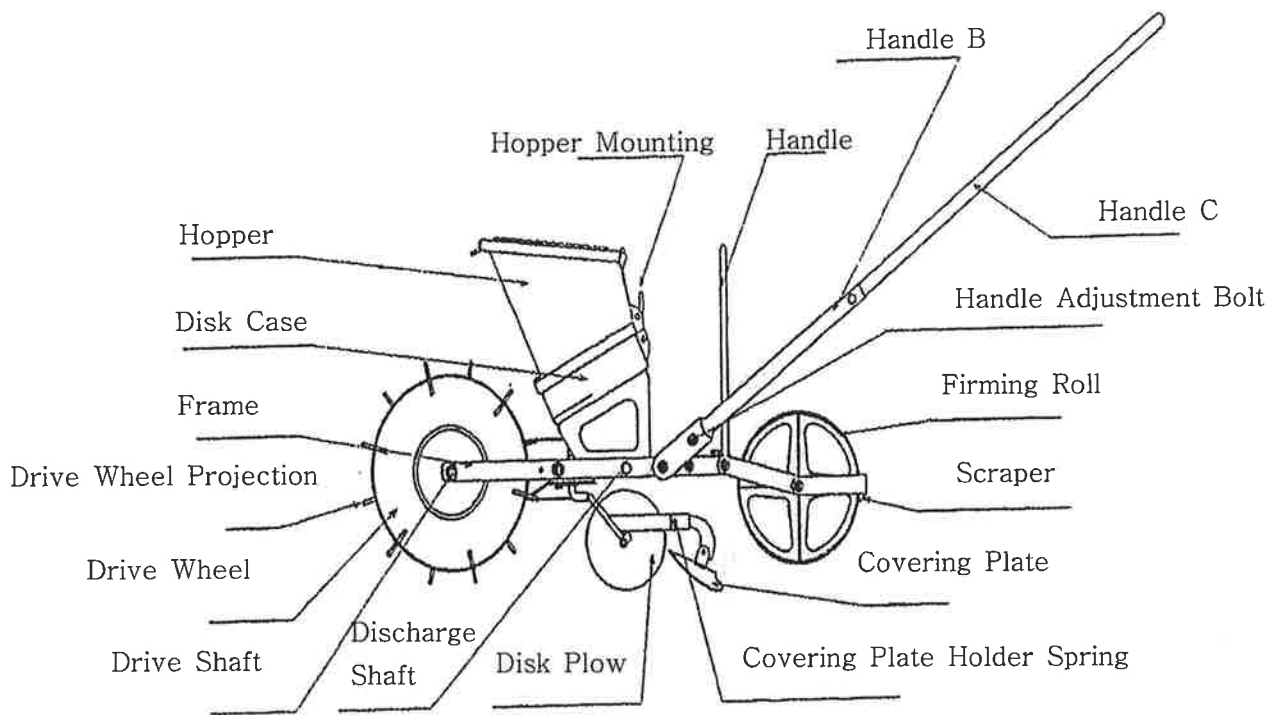
31, Pyoungchondong, Sangdanggu, Cheongjucity, Chungbuk-Do, Korea

TEL : +82-43-298-0076 FAX : +82-43-297-0076 Website : [www.jangauto.com](http://www.jangauto.com)

## Introduction

This seeder, a remodeled version of the TP-2 Model, has been equipped with a rotating disk in place of the seed discharge roll in order to enhance the seeding accuracy for large grains such as beans and corn. Please read this manual carefully before operation.

### 1. Features and Identification

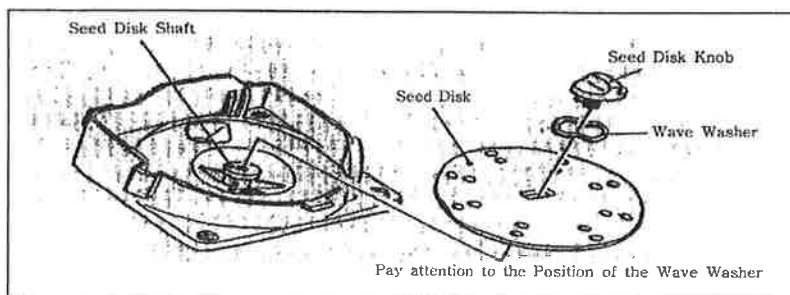


### 2. Adjustment

#### ① Seed Disk

Please select the Seed Disk that is appropriate for the type of the seed in Table 1 below.

The disk type (B-2, etc.) is engraved on the underside of the disk.



## ② Brush Adjustment

The brush controls the seeds entering into the Seed Disk holes. The standard seed feed rate is one grain of seed per hole. The higher the brush is positioned, the more seeds are fed, and the lower the brush is the fewer seeds are fed. When working with large grains such as the brush and the disk.

## ③ Other Adjustments

- Adjust the handle height by unscrewing the adjusting bolt.
- To adjust the seeding depth, unscrew the adjusting bolt of the Disk Plow, and adjust the elevation of the Plow. If the depth is set too deep, the Drive Wheel may be raised and the seed may not be planted.
- Set the seed discharge hose at about 3~5cm higher than the bottom of the Plow. If the hose is too long, it may become clogged with soil.

## 3. Seeding Spot Intervals

Set the seeding intervals with the chain gear on the drive shaft, the chain gear on the seed discharge shaft, and the number of holes (standard: 8) on the Seed Disk, to make them suitable for the field conditions.

The seeding spot intervals may vary according to the soil quality and moving speed; therefore, test on a surface where the dropped seeds do not roll in order to set the appropriate interval.

Seeding Spot Interval Table (inch)												
Chain Gear No. of teeth on the Discharge Shaft	9	10	10	11	10	11	11	13	13	14	14	
Chain Gear No. of teeth on the Drive Shaft	14	14	13	13	11	11	10	11	10	10	9	
Number of Holes	6	$5\frac{29}{32}$	$6\frac{11}{16}$	$7\frac{3}{32}$	$7\frac{7}{18}$	$8\frac{9}{32}$	$9\frac{7}{16}$	$10\frac{7}{32}$	$11\frac{1}{32}$	$12\frac{7}{32}$	$12\frac{1}{32}$	14
	8	$4\frac{11}{32}$	$5\frac{1}{8}$	$5\frac{17}{32}$	$5\frac{29}{32}$	$6\frac{5}{16}$	$7\frac{3}{32}$	$7\frac{1}{2}$	$8\frac{9}{32}$	$9\frac{1}{16}$	$9\frac{27}{32}$	$10\frac{5}{8}$
	16	$2\frac{3}{8}$	$2\frac{9}{16}$	$2\frac{9}{16}$	$2\frac{31}{32}$	$3\frac{5}{32}$	$3\frac{9}{16}$	$3\frac{15}{16}$	$4\frac{11}{32}$	$4\frac{3}{4}$	$5\frac{1}{8}$	$5\frac{1}{2}$
	Fir Barley	More ← Seeding rate → Less										
Seeding spot intervals may according to the soil quality. Test on a surface where the dropped seeds do not roll in order to set the appropriate interval.												

## 4. Cautions

- Do not move too fast, otherwise the seeding intervals may vary or the seeds may be damaged.
- Be sure to lubricate the Discharge Shaft, Drive Wheel Shaft, Firming Wheel Shaft, and other rotating parts before operation.
- Check and clean if soil or pesticide is deposited between the Hopper bottom and the Seed Disk.

Part Name
Part Code

