



955 Benton Ave., Winslow, ME 04901 • Phone: 1-877-564-6697 • Fax: 1-800-738-6314
Email: service@johnnyseeds.com • Web Site: Johnnyseeds.com

Materials Included

- (1) Connecta® Receiver
- (1) Oiled ashwood handle
- (1) #6 x 3/4" Rounded-head stainless steel wood screw

Additional Tools Needed

- #1 Phillips screwdriver
- 3/32" Allen wrench

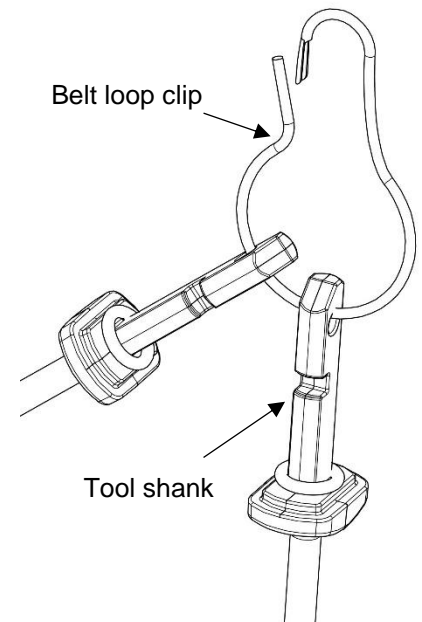
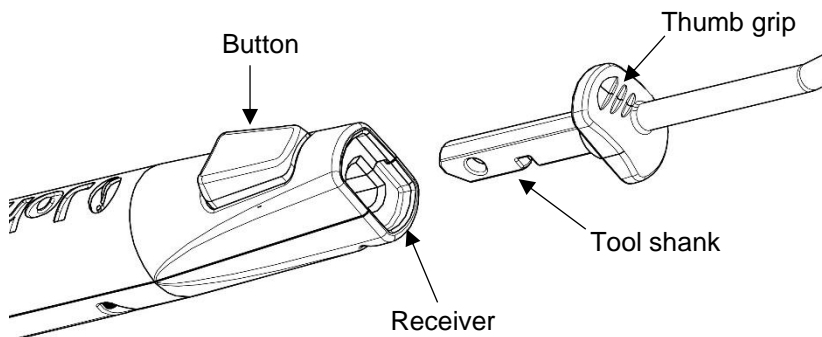
ASSEMBLY INSTRUCTIONS

The Connecta® Receiver comes fully assembled and only requires the oiled ashwood handle to be attached before use.

1. Insert the tapered handle into the metal receiver as far as it will go, until it is secure in place.
Note: Do not push the receiver down too far onto the handle as it could cause unnecessary strain on the screws.
2. Secure the wooden handle into the metal receiver by inserting the #6 x 3/4" wood screw provided into the screw hole and tightening it with a #1 Phillips screwdriver.

OPERATION & USE

- To attach a tool head into the receiver, press the button and insert the tool head shank until it clicks securely into place. You will need to gently push it in so the rubber gasket depresses to form a tight fit.
Note: Be sure the thumb grip on the tool head is in line with the receiver's button.
- To remove a tool head, press the button and slide the tool head out of the ferrule.
- Extra tool heads for the Connecta® Tool System can be stored on the belt loop clip, allowing you to swap tool heads quickly and easily in the field.
- **Important Note:** The Connecta® Tool System is designed with tight tolerances to keep the heads from shifting while in use. You may need to insert new heads a few times before they fit snugly in the receiver.



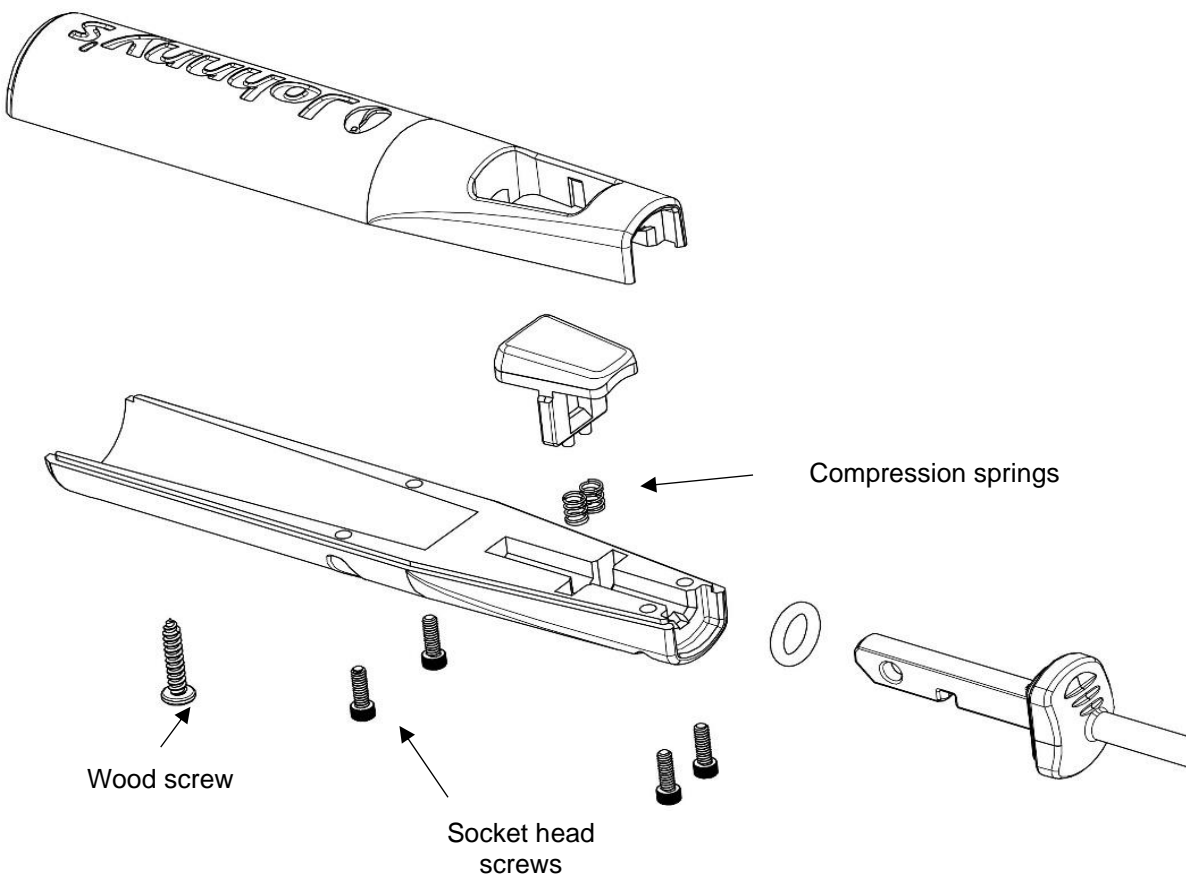
MAINTENANCE

- Always store your Connecta® Tool System components clean and dry.
- If dirt or debris gets inside the receiver, gently shake it upside-down to clean it out.
Note: *DO NOT tap the receiver on a hard surface such as stone or concrete, as this could damage it.*
- If the dirt or debris is particularly difficult to remove, you can spray water down into the receiver until it is cleared. Allow the receiver to fully air-dry before use.
- A light coat of linseed oil can be applied to the wooden handle as needed.

Cleaning Inside the Connecta® Receiver

If necessary, the Connecta® Receiver can be disassembled for a more thorough cleaning.

- Remove the four #4-40 $\frac{3}{32}$ " socket head screws from the bottom half of the receiver with a $\frac{3}{32}$ " Allen wrench.
- Remove the button from the top half of the receiver and both $\frac{1}{4}$ " compression springs housed below it.
- Clean out the receiver with water and allow all parts to completely dry before reassembling.
- You can lubricate the sides of the button and the springs with a couple drops of food-safe oil, if necessary.



04.15.2023 | JG, ms

Copyright © 2023 Johnny's Selected Seeds. All rights reserved.

SEED BREEDERS, GROWERS, AND MERCHANTS SINCE 1973