



955 Benton Ave., Winslow, ME 04901 • Phone: 1-877-564-6697 • Fax: 1-800-738-6314
Email: service@johnnyseeds.com • Website: Johnnyseeds.com

COMPONENTS AND PARTS:

- A. (1) Steel Vertical Handle
- B. (1) Roller Wheel with (16) Aluminum Dibbles (stored on wheel)
- C. (1) Axle
- D. (4) Clevis Pins
- E. (1) Wooden Horizontal Handle
- F. (1) Johnny's Logo Badge
- G. (2) Screws

TOOLS NEEDED

Philips Head Screwdriver

ASSEMBLY INSTRUCTIONS:

1) Press the Johnny's Logo Badge (F) into the Wooden Horizontal Handle (E). Attach to the Steel Vertical Handle (A) using Screws (G). See Fig. 1.

2) Slide the axle (C) through the Steel Vertical Handle (A) and the Roller Wheel (B). The end of the Axle (C) with the hole farther from the end goes toward the wheel. Secure both ends of the axle with Clevis Pins (D). See Fig. 2.

NOTE: We recommend putting the Roller Wheel on the side of the tool with the shorter wooden handle as shown, but it can be installed either way based on your preference.

Fig. 1

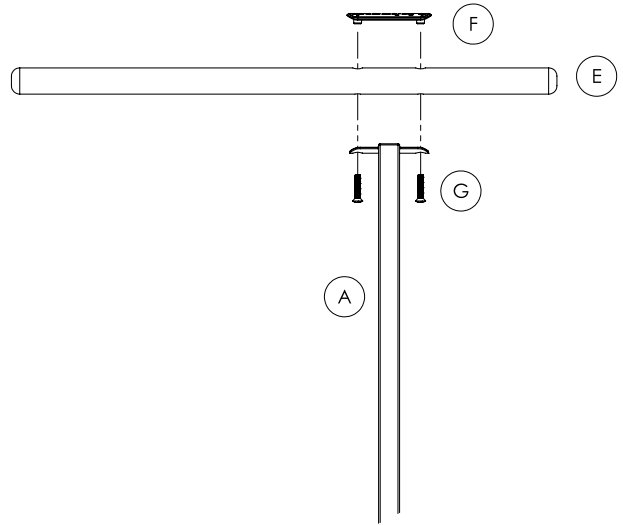
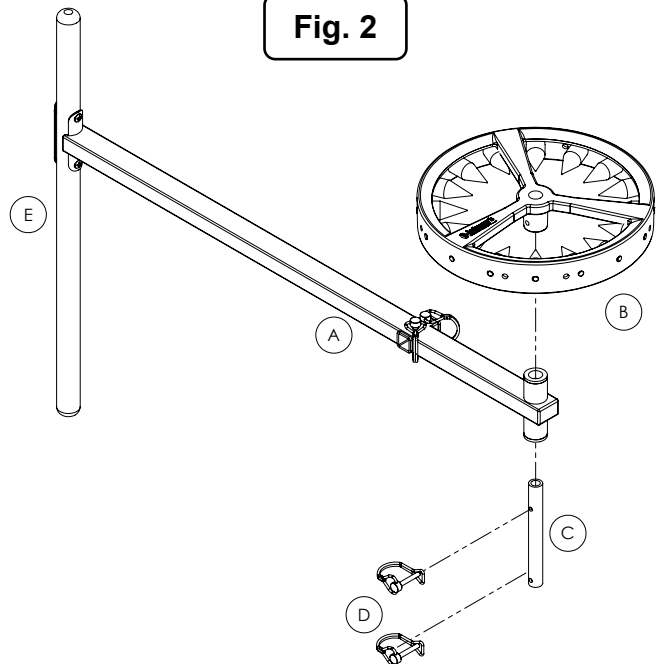


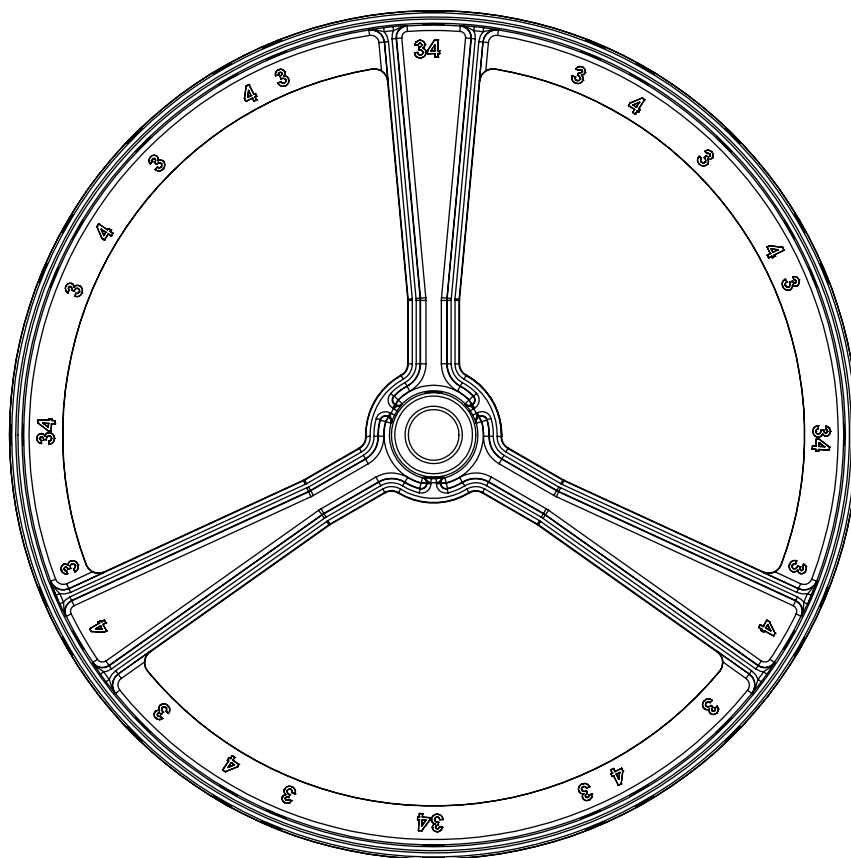
Fig. 2



INSTALLING DIBBLES

The Dibbles are shipped in a stored position. To use, unthread them by hand from the inside of the Roller Wheel and reinstall them on the outside in the desired positions, marked with the numbers "3" and "4." Use the chart below to help guide your placement.

Spacing	Positions
3 inch	All holes marked "3"
4 inch	All holes marked "4"
6 inch	Every other "3"
9 inch	Every other "4"
12 inch	All holes marked both "3" & "4"
16 inch	All holes at a spoke
23 inch	Two dibbles on opposite sides
43 inch	One dibble anywhere

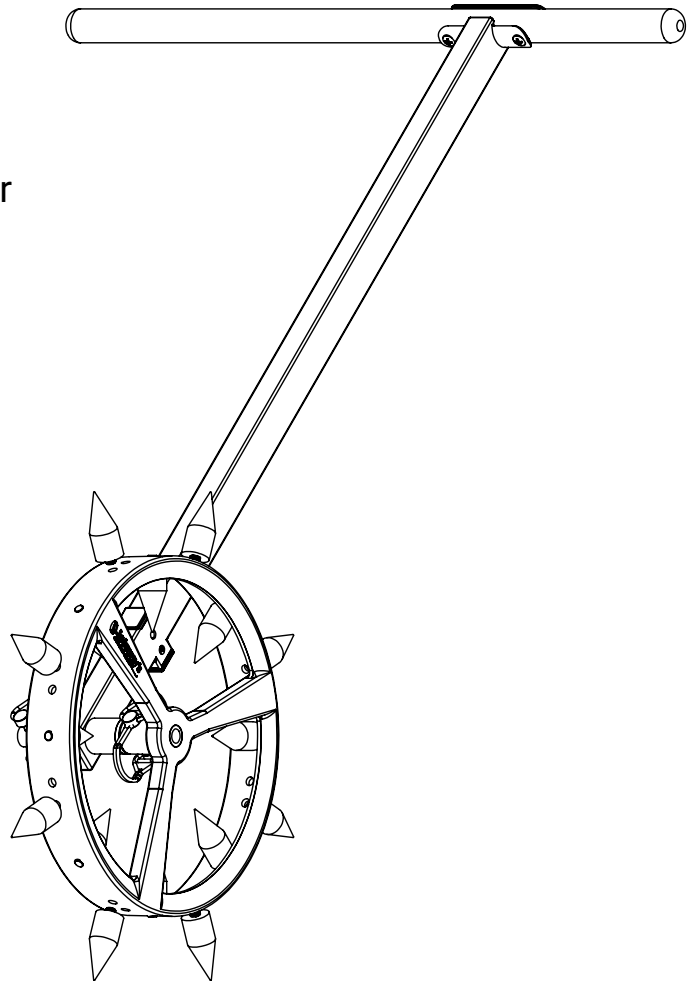


USING THE JOHNNY'S ROLLING DIBBLER

The Rolling Dibbler is used to make impressions in the soil for more precisely spaced row crops. Straight and even plantings are easier to cultivate and more productive, resulting in less labor. The dibbles are easily adjustable for several in-row spacing options, and effective for puncturing through plastic mulch.

NOTES:

1. The Rolling Dibbler can be either pushed or pulled. Make sure the Roller Wheel sits directly on the soil surface and the dibbles fully penetrate the ground
2. The spacing accuracy of the dibbles can vary depending upon rolling speed and soil conditions. Always measure the spacing to be sure it is correct before planting your crops. Dibble holes may be difficult to see in dry and sandy soil.
3. Store spare dibbles inside the Roller Wheel by screwing the spare dibblers into empty slots. This makes it easy to change the spacing in the field and adds helpful weight to the wheel.



To Install Adjustable Toolbar Dibbles (Sold Separately):

For a larger variety of dibble sizes, the threads on the Rolling Dibbler Wheels #6199 are compatible with Adjustable Toolbar Dibbles (#6753, #6754, #6755, #6756, #6757).

1. Remove the included dibbles from Rolling Dibbler Wheel #6199.
2. From the inside of the wheel, thread a 3/8"-16 x 1" bolt (included with the Adjustable Toolbar Dibbles) through the hole(s) at the desired location(s).
3. Thread the Adjustable Toolbar Dibbles(s) onto the bolt(s).

