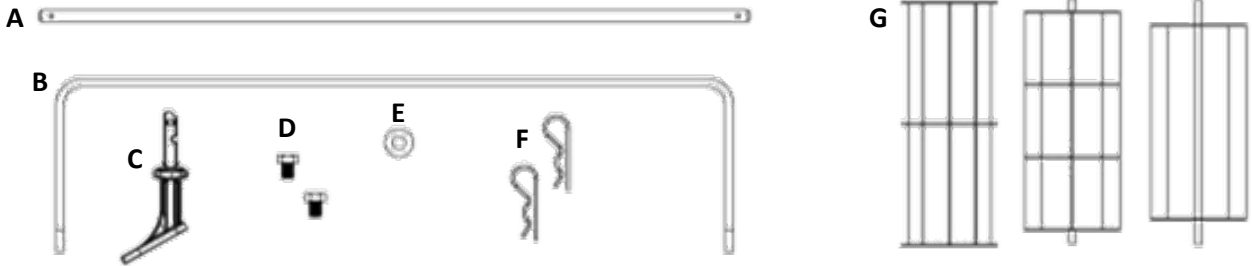


955 Benton Ave., Winslow, ME 04901 • Phone: 1-877-564-6697 • Fax: 1-800-738-6314
 Email: service@johnnyseeds.com • Web Site: Johnnyseeds.com

PARTS DIAGRAM & PARTS LIST:



**Images not to scale*

In this kit:

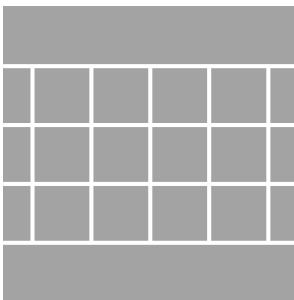
- A (1) Stainless steel axle
- B (1) U-bar frame
- C (1) Matrix™ attachment stem
- D (2) 3/8" bolts
- E (1) 3/8" washer
- F (2) Cotter pins
- G (3) Row markers (3 x 8, 4 x 6, 2 x 12)

Additional Tools Needed:

- Connecta® receiver with handle (6785)
- 9/16 wrench

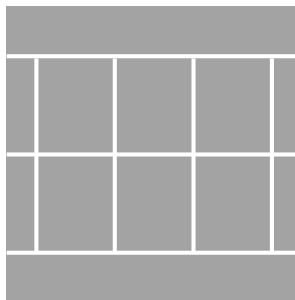
THIS MATRIX™ KIT WILL MARK IN THESE SPACINGS:

4 x 6



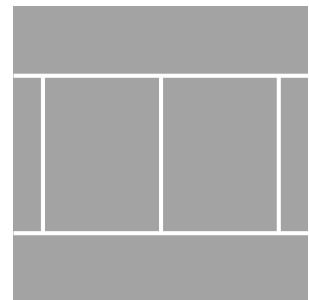
4 rows at 6 inch spacing

3 x 8



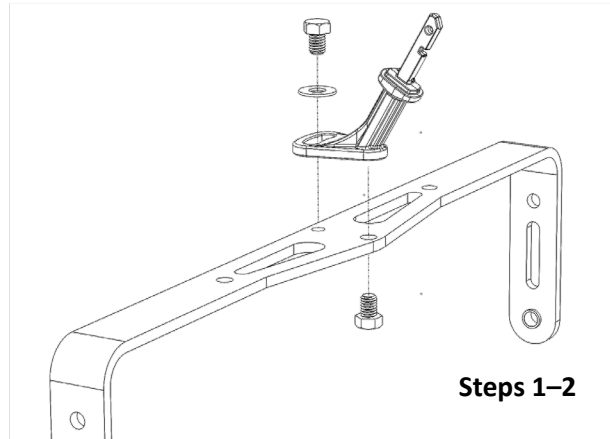
3 rows at 8 inch spacing

2 x 12

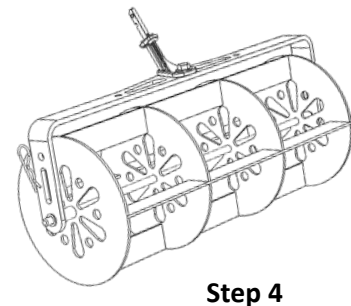
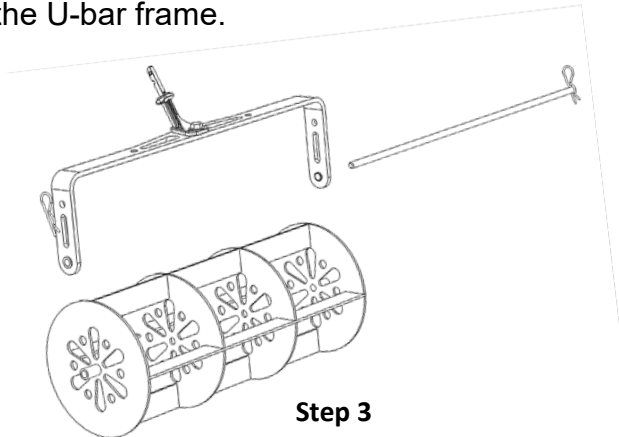


2 rows at 12 inch spacing

ASSEMBLY INSTRUCTIONS:



1. Thread one of the 3/8 bolts through the U-bar frame and into the stem. Take note of the orientation of the U-bar and stem.
2. Thread the other 3/8 bolt through the washer, through the stem and into the U-bar frame.



3. Align row marker with the holes on the frame. Slide axle through frame and the selected row marker.
4. Secure axle with cotter pins and click stem into your Connecta® handle.

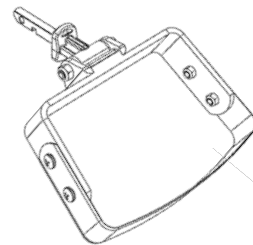
OPERATION & USE:

- Adjust the angle of the handle by loosening the front bolt and sliding the handle into the position of choice.
- With selected row marker secured in place, pull the Matrix™ behind you to mark out a perfectly spaced grid in your bed.

EACH CONNECTA® ATTACHMENT IS DESIGNED TO BE THE BEST AVAILABLE TOOL FOR THE JOB. LOOK FOR THESE ADDITIONS TO THE LINE.

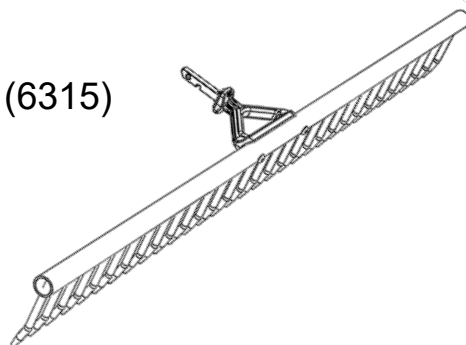
CONNECTA 6-INCH STIRRUP HOE (8366)

The Connecta 6-inch stirrup hoe is one of the most popular tools at our trial gardens. The powder-coated steel frame is built to last. Replaceable spring steel blades efficiently cut through large and small weeds just below the surface of the soil.



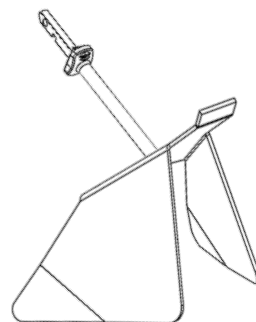
CONNECTA 30-INCH BED PREP RAKE (6315)

The lightweight aluminum head and high-strength alloy attachment stem combine to produce an ideal strength-to-weight ratio for bed preparation raking and surface leveling.



CONNECTA ROW PRO™ (8365)

The heavy-gauge stainless steel Row Pro assists in planting your crops in straight, uniform rows. Use the sloped tip to create neat furrows in which to plant your seed or seedlings. Then, flip the Row Pro over and close each row in one efficient pass.



Last revised: 8/1/2023 GB, ld, hc