



955 Benton Ave., Winslow, ME 04901 • Phone: 1-877-564-6697 • Fax: 1-800-738-6314
Email: service@johnnyseeds.com • Website: Johnnyseeds.com

Parts List:

FRAME RAILS

- A1 (2) U-Frame
- A2 (8) Long Frame Rail
- A3 (2) Short Frame Rail – Bottom
- A4 (1) Long Frame Rail – Top

FRAME HARDWARE

- B1 (2) T-Clamp Assembly – Top
- B2 (20) T-Clamp
- B3 (20) M6 Cap Screw
- B4 (20) M6 Standard Nut
- B5 (4) M6 6x2.25 Cap Screw
- B6 (24) M6 Lock Nut

LIGHT FIXTURE COMPONENTS

- C1 (2) LED Light Fixture with 3.5' Cord
- C2 (2) LED Light Fixture with 6.5' Cord
- C3 (2) Top Dome Lock Washer Set
- C4 (10) Dome Lock Washer Set
- C5 (8) 3/8" Light Fixture Support Bolt
- C6 (8) 3/8" Light Fixture Spacer
- C7 (4) Light Support Rod
- C8 (8) Light Fixture Hand Knob
- C9 (16) LED Tube, 4' T8 PLT Single-Ended

ADDITIONAL COMPONENTS

- D1 (1) Power Strip – 6 Outlet
- D2 (4) 48" Aluminum Shelf
- D3 (2) 3" Caster
- D4 (2) 3" Locking Caster

Included tools:

- T1 (1) Shelf Height Guide
- T2 (1) 5mm Hex Key
- T3 (1) 10mm Socket
- T4 (1) Socket Wrench



Assembly Instructions for Commercial 16-Tray Light Cart

1. Please verify that all parts listed on the Parts List have been included within the contents of all four product cartons. If any items are missing, please contact Johnny's Customer Service at 1-877-564-6697

NOTE: We recommend that two people assemble this Commercial Light Cart.

2. Position two **U-Frames (A1)** on their side and spaced about 4 feet apart. Install the **Long Frame Rail-Top (A4)** onto **U-Frames (A1)** at the top center position of U-Frames using **T-Clamp Assembly-Top (B1)(x2)**. The corrugated carton may be used as a work surface area to protect metal parts from scratching during assembly. See FIG. 1.
3. Tighten **T-Clamp Assembly-Top (B1)(x2)** into place using **M6 6x2.25" Cap Screws (B5)(x2)**, **Top Dome Lock Washer Set (C3)(x2)** and **M6 Lock Nuts (B6)(x2)** which have been pre-assembled to the T-Clamp Assembly-Top.

See FIG.1 for orientation. Note: **Light Support Rods (C7)** will be added in a later step.

4. Slide assembled **T-Clamps (B2)(x20)** onto **U-Frames (A1)**. Spacing between each mounted T-Clamp is 15". A **Shelf Height Guide (T1)** has been included to simplify installation. Bottom T-Clamps should be 3" from the bottom of legs. See FIG.2.

RAIL INSTALLATION

5. Insert **Long Frame Rails (A2)(x8)** into open ends of the **T-Clamps (B2)**. Fully tighten (final torque) T-Clamps with **M6 Lock-Nuts (B6)(x20)**. Discard (20) M6 Std Nuts (B4). See FIG.3.
6. Install **Short Frame Rails – Bottom (A3)(x2)** onto lower portion of **U-Frames (A1) (x2)** using **T-Clamps (B2)(x4)**, **M6 Cap Screws (B3)(x4)**, **M6 Lock-Nuts (B6) (x4)**. T-Clamps and Short Frame Rails should be below bottom Long Frame Rails. See FIG 3.
7. Rotate **Light Cart Frame** upright.

LIGHT SUPPORT ROD INSTALLATION

8. Attach **Light Support Rods (C7)(x4)** to the top side of **Long Frame Rail – Top (A4)** ends using previously installed **Top Dome Washer Set (C3)(x2)** to capture both Light Support Rod ends. Un-tighten **M6 6x2.25" Cap Screws (B5)(x2)** to create space between **Dome Washers** and top **Flat Washers**. Insert **Light Support Rods (C7)** into gaps. Then re-tighten **M6 6x2.25" Cap Screws (B5)(x2)**. See FIG.4.
9. Secure bottom lengths of **Light Support Rods (C7)** using **Dome Lock Washer Sets (C4)(x2)**, **M6 6x2.25" Cap Screws (B5)(x2)**, **M6 Lock-Nuts (B6)(x2)**, and center holes of **Short Frame Rails – Bottom (A3)**. See FIG.5.

Assembly Instructions for Commercial 16-Tray Light Cart

LED LIGHT HOUSING INSTALLATION

10. Unpack **LED Light Fixture with 3.5' Cord (C1)**(x2) and **LED Light Fixture with 6.5' Cord (C2)** (x2) and **LED Tubes (C9)**(x16).
11. Install **3/8" Light Fixture Support Bolts (C5)**(x8) and **3/8" Light-Fixture Spacers (C6)** (x8) onto each side of **C1** and **C2 - LED Light Fixtures**. Attach each **LED Light Fixture** (with installed Support Bolts and Nuts) onto Light Support Rods using **Dome Lock Washer Sets (C4)**(x8) and **3/8" Light Fixture Hand Knobs (C8)**(x8). Tighten **Knobs** to secure Light Fixture ends onto Light Support Rods. See FIG. 6.

The Light Fixtures with the 6.5' cord should be at the *top* of the U-Frame.

The Light Fixtures with the 3.5' cord should be at the *bottom* of the U-Frame.

Note:

Make sure all Light Fixture Power Cords come out on the same side of light cart when LED Light Fixtures are installed. Install LED Bulbs into all LED Light Fixtures.

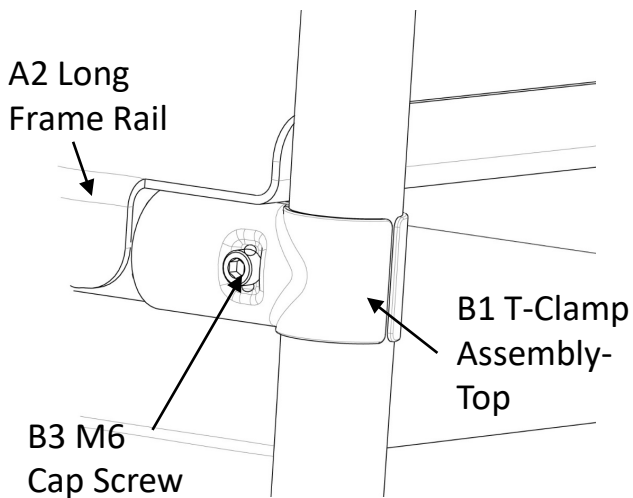
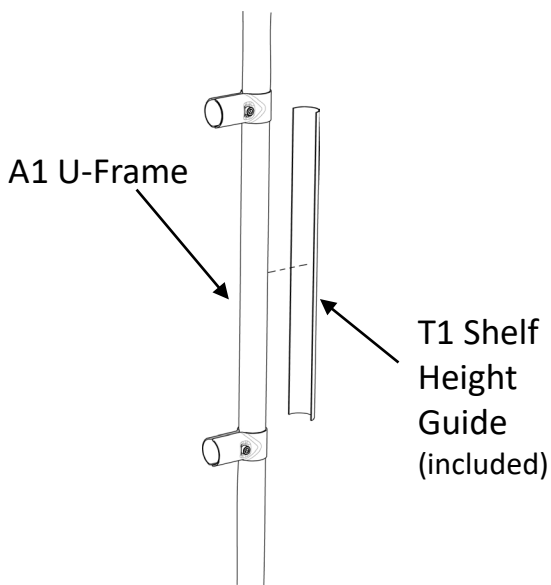
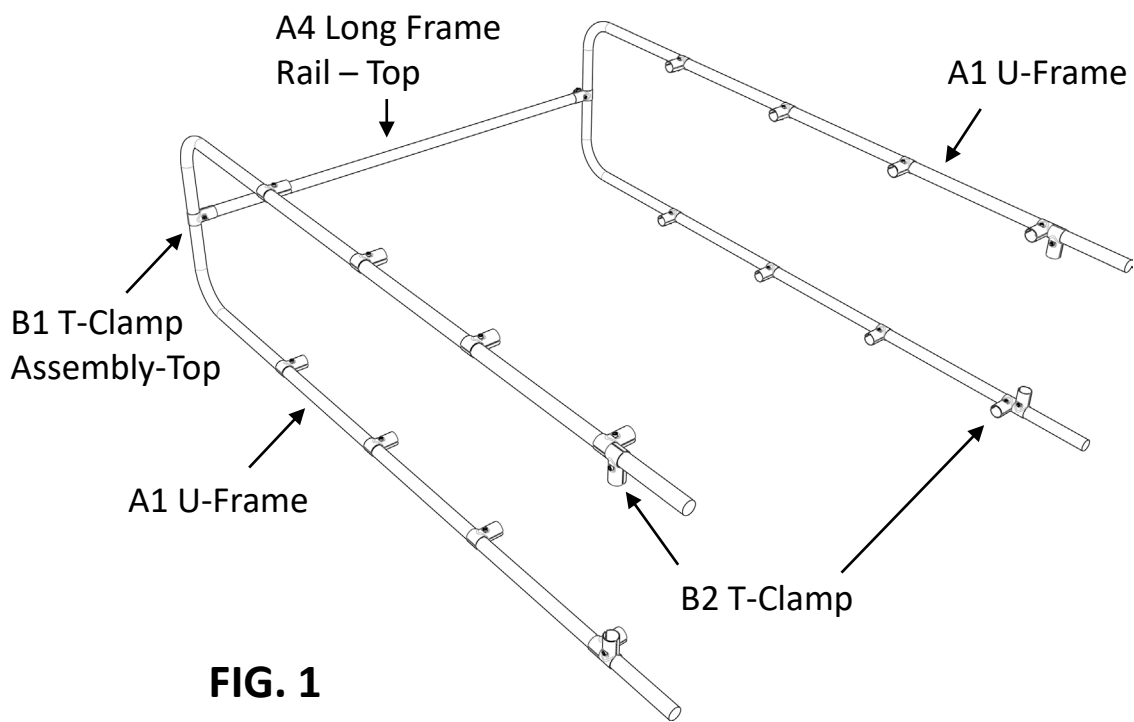
Plug **C1 & C2 LED Light Fixtures** into **D1 Power Strip** to verify that all 16 LED Bulbs light.

12. Adjust height of **C1 & C2 LED Light Fixtures** by slightly un-tightening hand knobs at one end of light fixture, then slide light fixture end up or down on Light Support Rods. Tighten hand knobs when desired position is found. Repeat adjustment on opposite side of light fixture.
13. Install **D2 Aluminum Shelves**(x4) onto Long Frame Rails.
14. Install **D3 Casters** and **D4 Locking Casters** into base of Light Cart Frame.

MAINTENANCE

Unplug Commercial LED Light Cart Power Strip before cleaning. LED Light Fixtures should not require maintenance. Periodically wipe down LED Light Fixtures with a damp cloth and mild liquid detergent or glass cleaner. Do not attempt to repair or modify the Light Fixtures. Please contact Johnny's for troubleshooting assistance.

Assembly Instructions for Commercial 16-Tray Light Cart



Assembly Instructions for Commercial 16-Tray Light Cart

