



955 Benton Ave., Winslow, ME 04901 • Phone: 1-877-564-6697 • Fax: 1-800-738-6314
Email: service@johnnyseeds.com • Website: Johnnyseeds.com

These instructions apply to the following products:

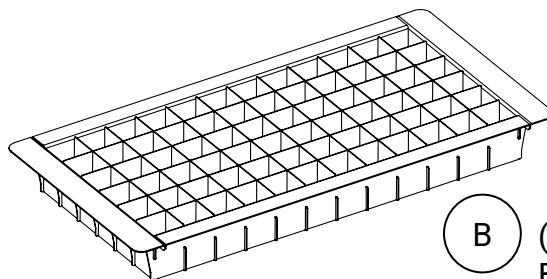
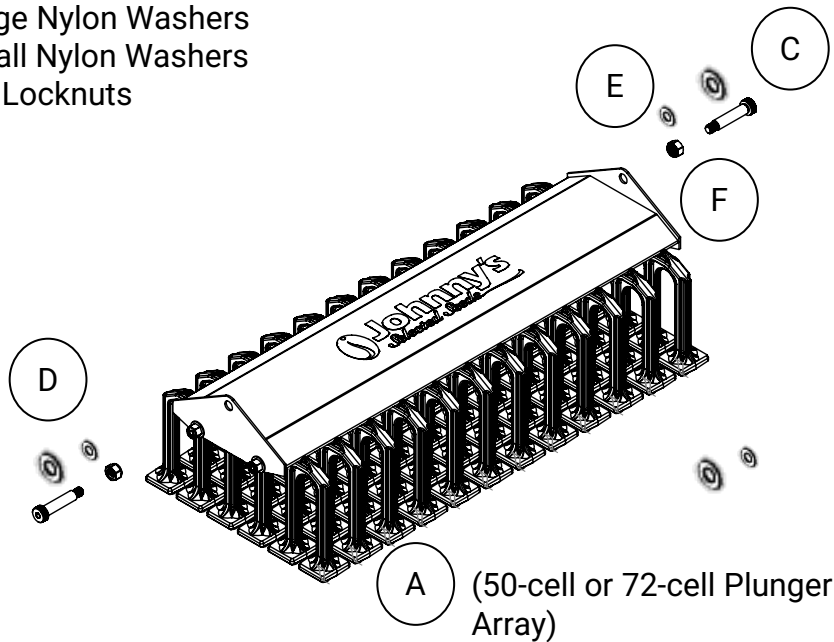
- #6200 50-cell conversion kit to convert a #6318 Johnny's Commercial Soil Blocker 72-cell into a 50-cell soil blocker.
- #6201 72-cell conversion kit to convert a #6225 Commercial Soil Blocker 50-cell into a 72-cell soil blocker.

Included Parts:

- A. (1) Plunger Array
(#6225.600 or #6318.600)
- B. (1) Soil Blocking Grid
(#6225.100 or #6318.100)
- C. (2) M8 Shoulder Bolts
- D. (2) Large Nylon Washers
- E. (2) Small Nylon Washers
- F. (2) M8 Locknuts

Tools Required:

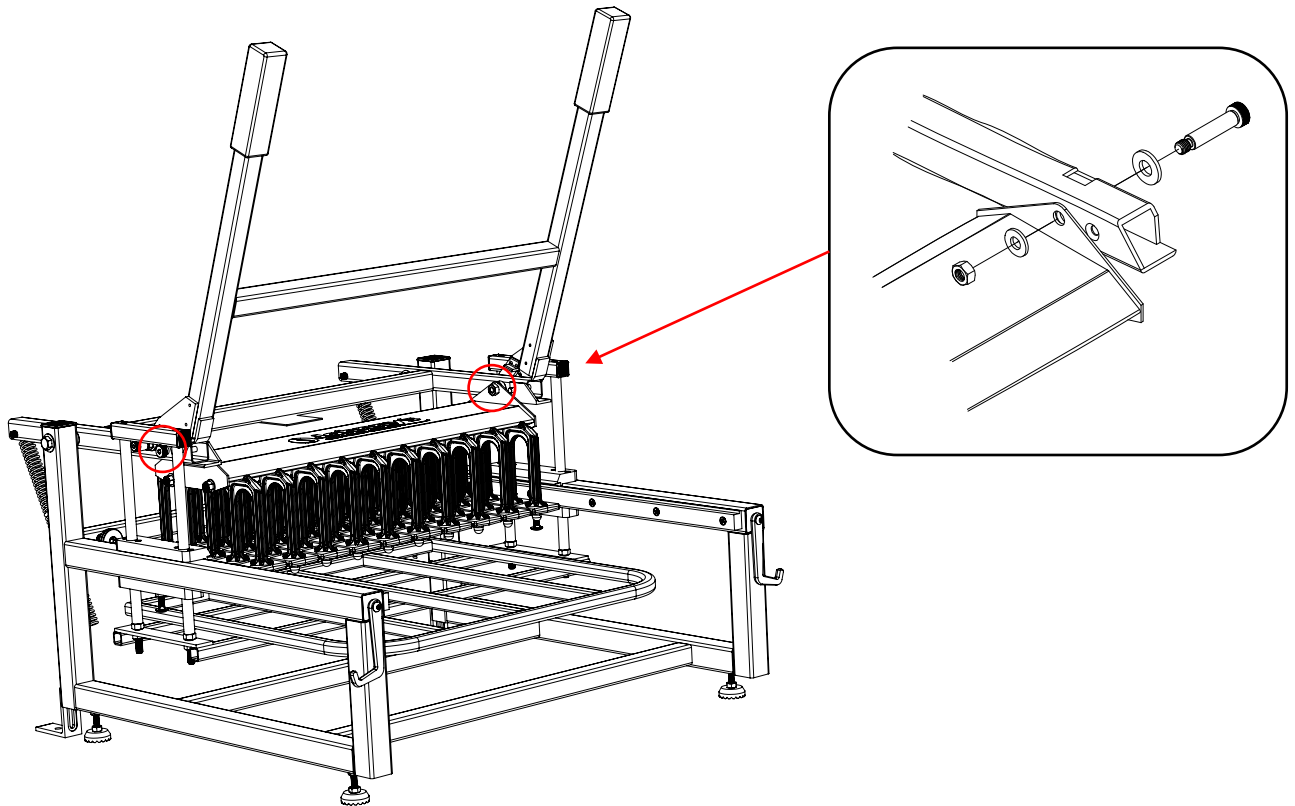
- 1. 5mm Hex Key (Allen wrench)
- 2. 13mm box or socket wrench



B (50-cell or 72-cell Soil Blocking Grid)

Conversion Instructions:

1. Using the 5mm hex key and 13mm wrench, loosen the nuts holding the plunger array. While supporting the plungers, pull the shoulder bolts out. If there is an aluminum spacer, it can be discarded.



2. Set the plunger array and its hardware aside (you can store it nested in its corresponding grid).
3. Assemble the Large Nylon Washers (D) onto the M8 Shoulder Bolts (C).
4. Holding the new Plunger Array (A) in place, reinsert the bolts through the soil blocker frame and the plungers one side at a time, ensuring that the shoulder goes through both sides of the square tube. Add the Smaller Nylon Washers (E) and thread the M8 Locknuts (F) on lightly.
5. Slide the Soil Blocking Grid (B) from the conversion kit into the soil blocker and check the alignment of the plungers to the grid. The plungers can be adjusted side-to-side before tightening the locknuts. To adjust the grid forward and back, use the grid bumpers as described in the Soil Blocker instructions.

Johnny's Commercial Soil Blocker Instruction Manuals



[#6318 Johnny's 72-Cell
Commercial Soil Blocker](#)



[#6225 Johnny's 50-Cell
Commercial Soil Blocker](#)