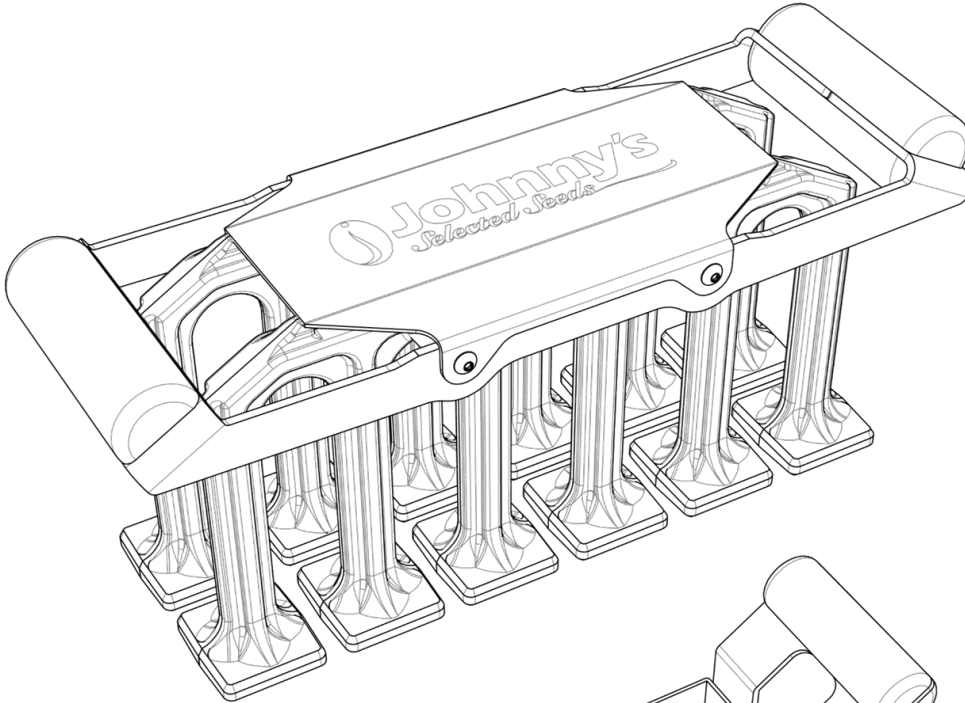




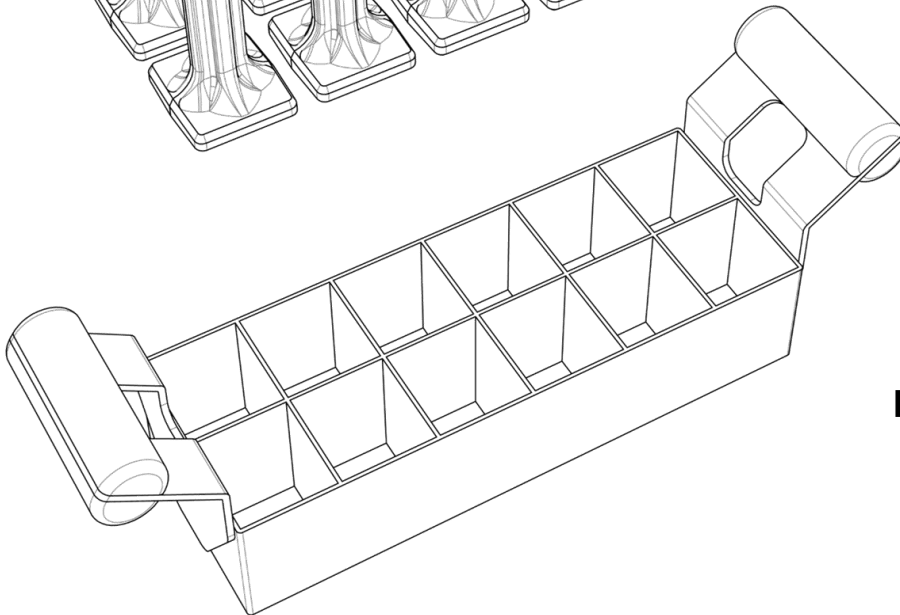
8392

955 Benton Ave., Winslow, ME 04901 • Phone: 1-877-564-6697 • Fax: 1-800-738-6314  
Email: [service@johnnyseeds.com](mailto:service@johnnyseeds.com) • Web Site: [Johnnyseeds.com](http://Johnnyseeds.com)

**COMPONENTS AND PARTS:**



**A. Plunger  
Assembly**



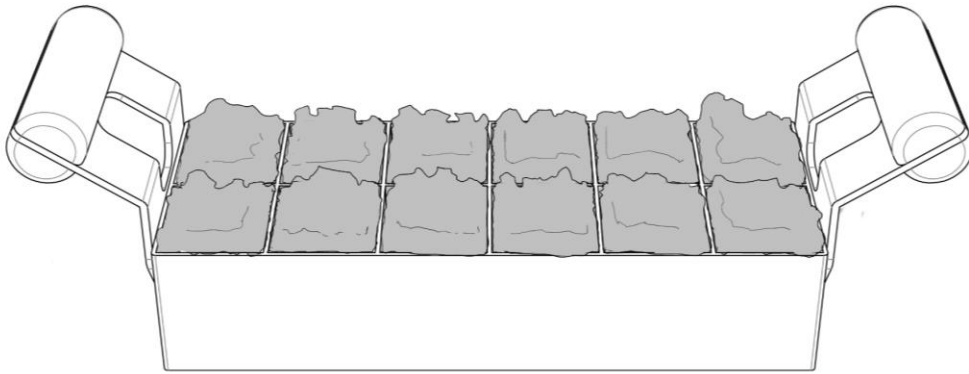
**B. Stainless Steel  
Blocking Grid**

**PATENT PENDING**

## OPERATION & USE:

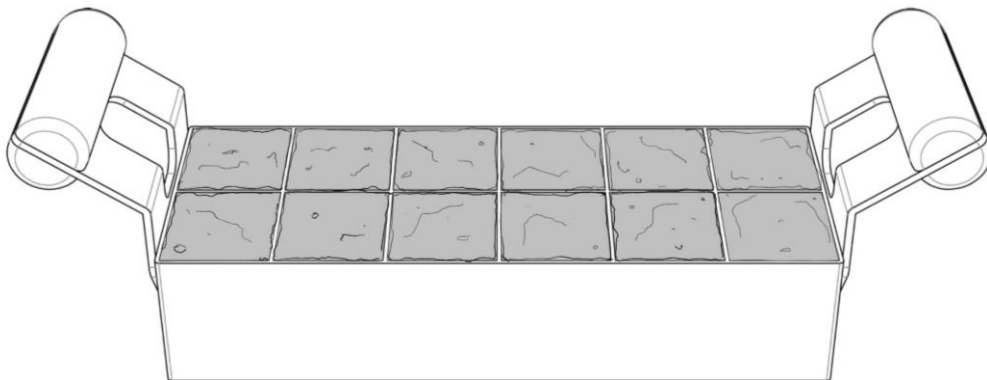
Blend soil and water to the right consistency (mixture should be wet enough to hold its form when squeezed in hand but should not be dripping wet). Push the (B) Blocking Grid into the soil mix. Make sure to penetrate soil to the bottom of the container. (FIG. 1)

**FIG. 1**



Use a trowel or our soil blocking prep tool (not included) to scrape the excess soil from the top of the (B) Blocking Grid. (FIG. 2)

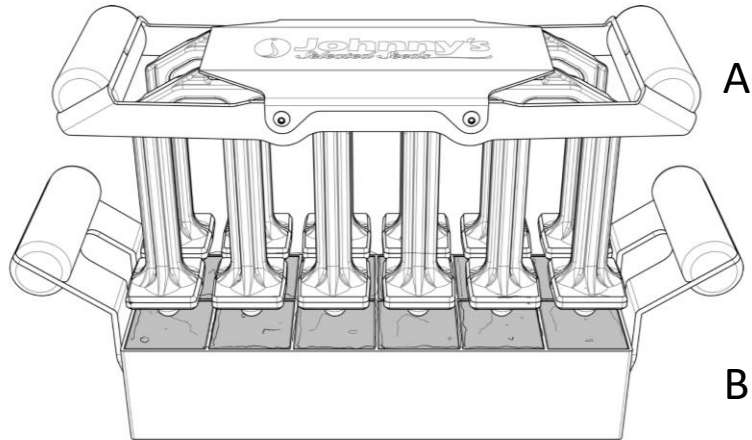
**FIG. 2**



Place (B) Blocking Grid into a 1020 or similarly sized tray or board.

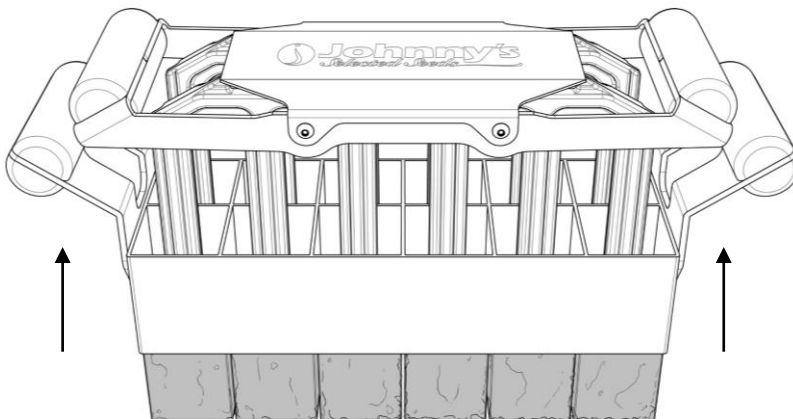
Align the (A) Plunger Assembly with the cells on the (B) Blocking Grid and lightly compress the soil in the cells. (FIG. 3)

**FIG. 3**



While keeping some pressure on the (A) Plunger Assembly, gently pull the (B) Blocking Grid up around the compressed blocks. (FIG. 4)

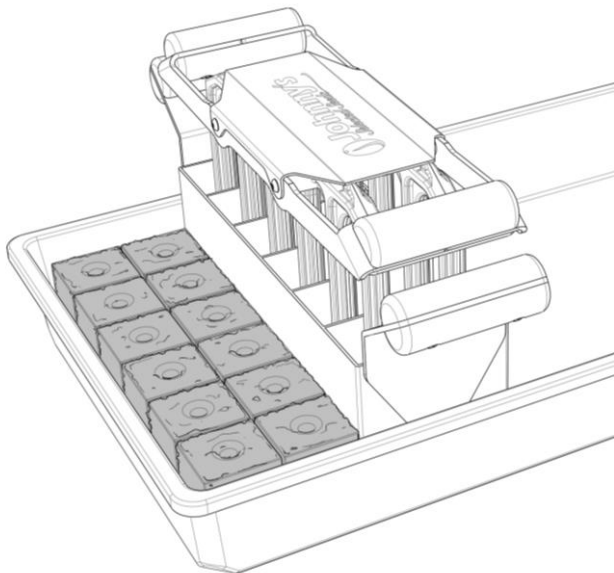
**FIG. 4**



This system is designed to fit 12 rows of 6 (72 cells) in a 1020 tray.

Pay attention to your row alignment for best results with corresponding tools in the 72-cell system. (FIG.5)

**FIG. 5**



Rinse or dip plungers in water as needed to minimize soil sticking to plungers.

### **MAINTENANCE INSTRUCTIONS:**

After each use, rinse thoroughly in warm water to remove soil and debris. Wipe stainless steel (B) Blocking Grid and (A) Plunger Assembly with a dry cloth.

All Johnny's Soil Blocking products are trialed using Johnny's Polypro trays and Johnny's 512 Mix as performance benchmarks.

**Polypro Shallow Tray, No Holes (4 count) – #6375**

**Polypro Shallow Tray, No Holes (24 count) – #6377**

**Johnny's 512 Mix, 20 Qt – #9227 | Johnny's 512 Mix, 60 Qt – #9228**