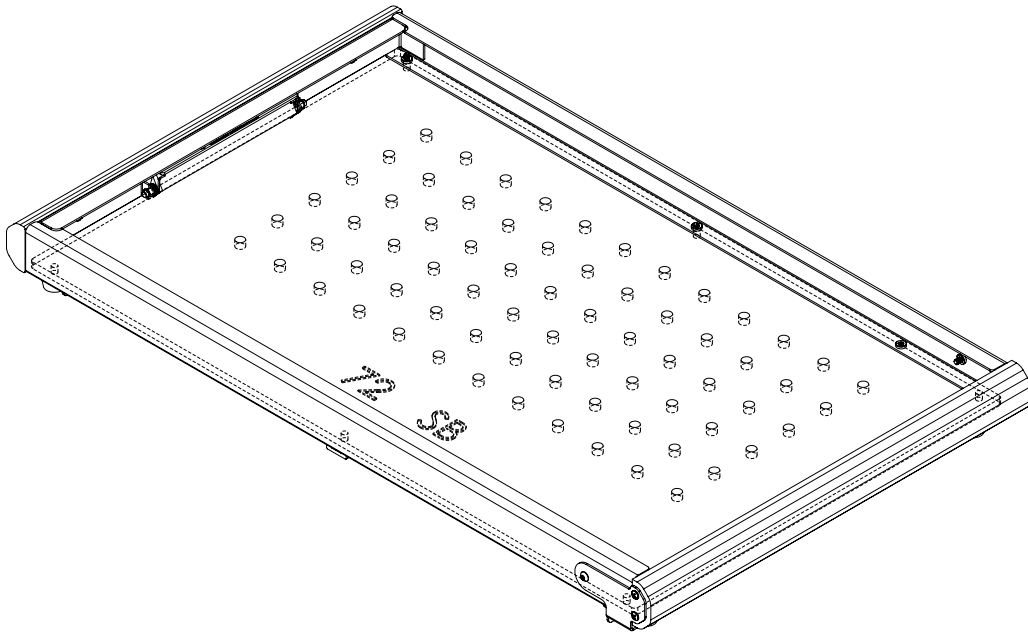


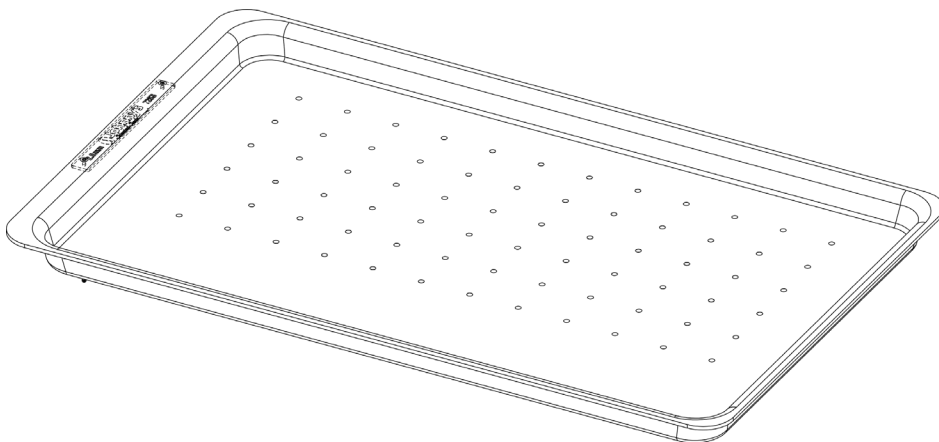
955 Benton Ave., Winslow, ME 04901 ☎ Phone: 1-877-564-6697 ☎ Fax: 1-800-738-6314  
Email: [service@johnnyseeds.com](mailto:service@johnnyseeds.com) ☎ Website: [Johnnyseeds.com](http://Johnnyseeds.com)

## INCLUDED COMPONENTS AND PARTS:

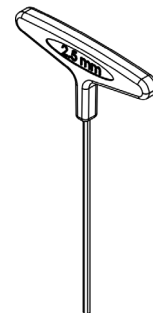
### A. Drop Seeder Frame with Plate for 72-Cell Soil Blocks



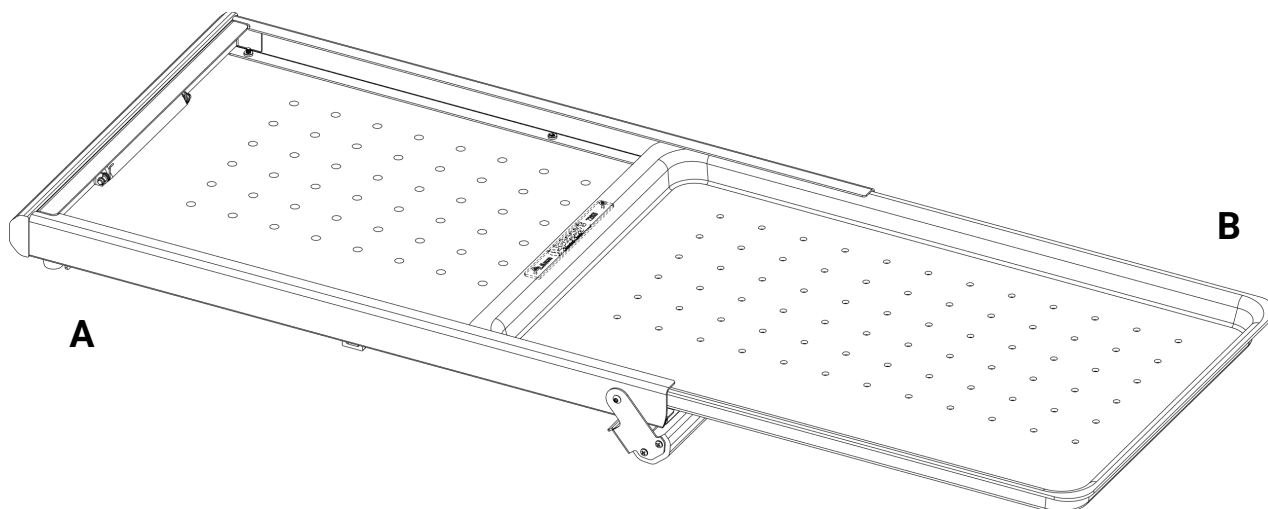
### B. Drop Seeder Tray for 72-Cell Soil Blocks, 3mm hole size



### C. T-Handle Wrench



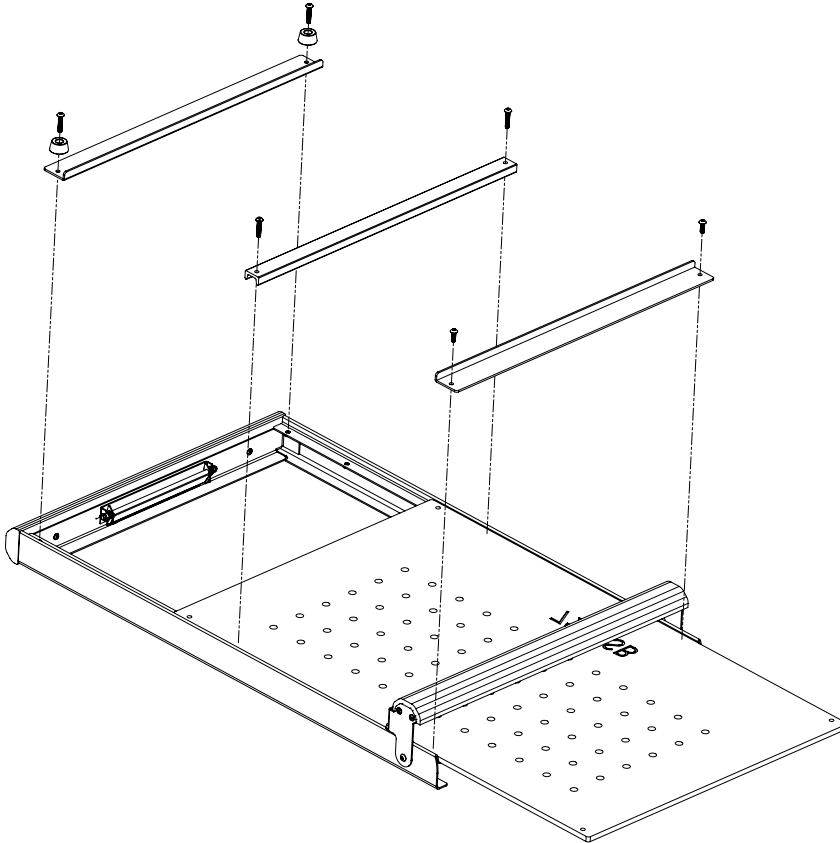
# Johnny's Drop Seeder Operating Instructions



**Drop seeder Tray with 72 3mm holes (B) comes pre-installed in the drop seeder frame (A).**

1. Note that one end of the drop seeder frame locks in place with magnetic closures.
2. To open, rotate the wooden handle down to release the magnetic contacts.
3. Slide the Tray out of the frame to replace. When reinstalling the Tray make sure that the end with the tray ID plaque is inserted first. **The drop seeder will not operate properly if Tray is inserted the wrong way.**
4. Once the Tray has been inserted, rotate the wooden handle up into the closed position making sure that the magnets lock the handle in place.
5. Pour desired seed across the Tray and gently shake to sift seeds into each hole.
6. When all holes have been adequately filled, tilt the seeder towards yourself and gently shake to draw the excess seed away from holes.
7. Place seeder over your intended propagation Tray and align to make sure seeds will drop into the desired location.
8. Holding the seeder with both hands, use your left thumb to pull the Tray against the spring so that the holes of the Tray and holes of the plate align with each other. As soon as the holes align, the seeds will drop into the propagation tray. Repeat steps 1-8 for each propagation tray.

# Johnny's Drop Seeder Operating Instructions: Swapping the Bottom Plate



**To change cell pattern, you will need to swap both the polycarbonate bottom Plate and the drop seeder Tray (see next page for information on selecting top Trays and bottom Plates). To swap the bottom Plate:**

1. Turn the drop seeder frame over and rotate the handle to the open position.
2. Use the T-Handle Wrench (C) to remove the six screws that hold the Plate and bottom brackets in place. Two screws are embedded in the feet on the non-hinged end, two are in the middle bracket and two are under the hinged handle.
3. Slide the bottom Plate out between the frame and the hinged handle.
4. Slide the new bottom Plate back in and secure with the three brackets and six screws. Note that the middle bracket is a different shape from the end ones.

## Additional Tray and Plate Options (sold separately)

The Johnny's Drop Seeder comes with a pre-installed bottom Plate and with top Tray #9906. This combination has 3mm holes and seeds a 72-cell soil blocker hole pattern.

- To keep the hole pattern, but change the seed size, replace the top tray.
- To change the hole pattern, replace both the bottom Plate as well as the top Tray.

Consult the tables below to select the appropriate top Tray and bottom Plate for your needs.

**Table 1: Recommended hole size for the crop you wish to seed.**

Hole diameter (mm)	Recommended Crop
2.5	Arugula, Basil, Kohlrabi, Leeks, Mustard, Pac Choi, Parsley
3	Dill, Onion, Shallot, Turnip
3.5	#12.5 Pelleted Seed, Brussels Sprouts, Radish
4.5	#13 Pelleted Seed, Daikon Radish, Spinach
6	Beets, Cilantro, Leaf Fennel, Orlaya, Sweet Pea, Swiss Chard, Salanova®

**Table 2: Trays and Plates.**

Hole Diameter in mm		2.5	3	3.5	4.5	6	
Soil Blocking	50-cell	Tray		#9902	#9903	#9904	#9905
		Conversion Plate	#9911	#9911	#9911	#9911	#9911
	72-cell	Tray		#9906 (included)	#9907	#9908	#9909
		Plate	(included)				
Plug Trays	50-cell	Tray		#9920	#9921	#9922	#9923
		Conversion Plate	#9918	#9918	#9918	#9918	#9918
	72-cell	Tray		#9924	#9925	#9926	#9927
		Conversion Plate	#9919	#9919	#9919	#9919	#9919