

955 Benton Ave., Winslow, ME 04901 • Phone: 1-877-564-6697 • Fax: 1-800-738-6314
 Email: service@johnnyseeds.com • Web Site: Johnnyseeds.com

Johnny's Adjustable Toolbar is designed to create perfectly sized holes for easily transplanting seedlings in a bed up to 36" wide. Choose dibbles for 72-cell or 128-cell seedling plugs, according to your needs.

Materials Included:

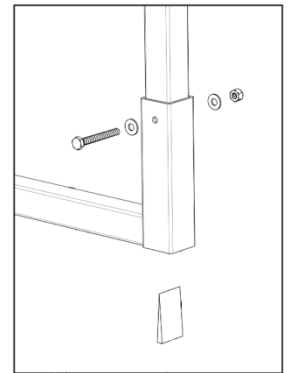
- (1) Adjustable Toolbar head
- (2) Oiled ashwood handles
- (2) Wooden wedges
- (2) Row marker bracket
- (2) Row marker points
- (2) 1/4"-20 Hex bolts
- (2) 1/4" Nyloc nuts
- (6) 1/4" Flat washers
- (2) 1/4" Wing nuts

Additional Tools Needed:

- Set of 7/16" wrenches/sockets
- Hammer or mallet
- Sharp knife
- 9/16" Wrench (for dibbles)
- Dibbles (sold separately)

ASSEMBLY INSTRUCTIONS

1. Insert the flat end of the handle into the head until the predrilled holes align.
2. Fasten the handle to the head with the hex bolt, two washers, and nut provided (see right), and secure in place using two 7/16" wrenches or sockets.
3. Gently hammer the wooden wedge up into the slit on the bottom of the handle as far as it will go. The handle should fit snug inside the Toolbar head.
4. Remove any excess wood on the bottom of the handle with a sharp knife.

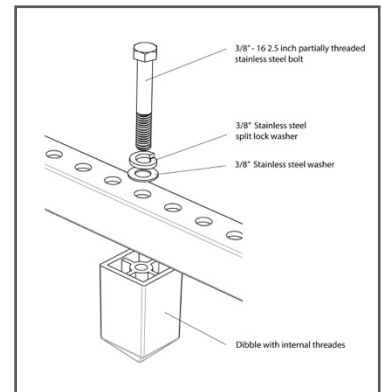


OPERATION & USE

Attaching Dibbles

Fasten the dibbles to the toolbar with the hex bolt, lock washer, and flat washer provided with each dibble (see right). Secure in place using a 9/16" wrench.

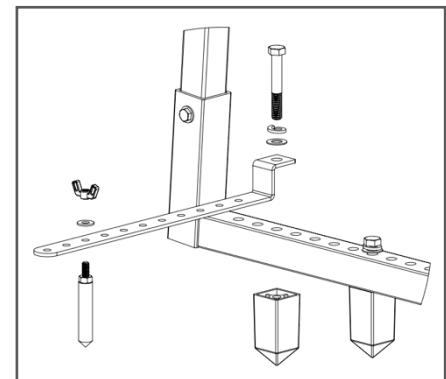
* DO NOT OVERTIGHTEN, or you could damage the dibble threads.



Spacing

Row Spacing is determined by the positioning of the dibbles along the toolbar. Attach the dibbles needed for your desired number of rows across the bed, equidistant from each other.

In-Row Spacing. A set of row markers is used for clearly marking where the next dibbles should be placed in the bed. Secure the row marker brackets to the top of the toolbar so they are in line with the outermost dibbles (see right). Attach the row marker points to the bracket at your desired in-row distance. Secure in place using the washer and wing nuts provided.



Making Holes

Working backwards, with the row markers towards you, center the toolbar in the bed and press the dibbles straight down into the soil by stepping onto the toolbar. Make your next set of holes by placing the dibbles into the marks made by the row markers.

Note: It may help to lightly irrigate your beds first, so the row marks are clear and dibble holes are stable.