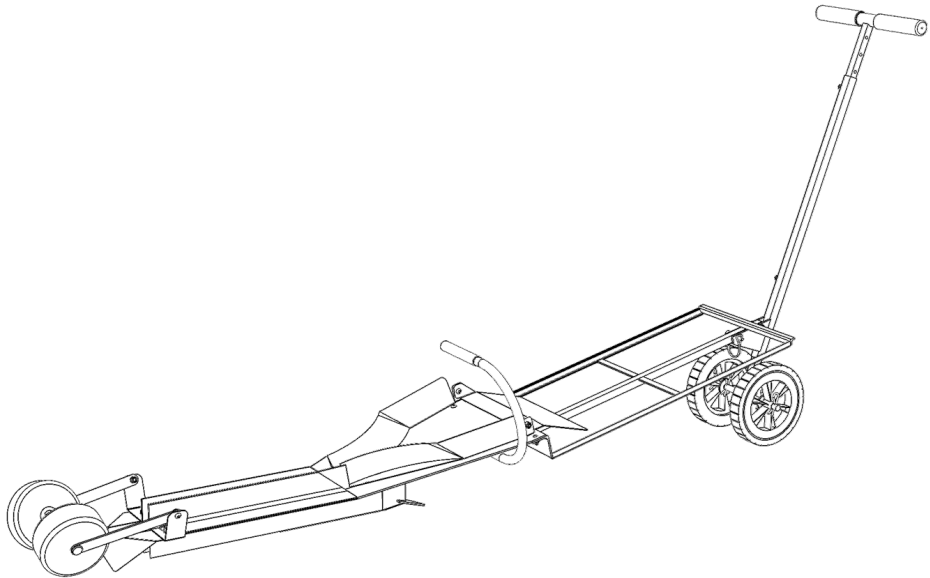
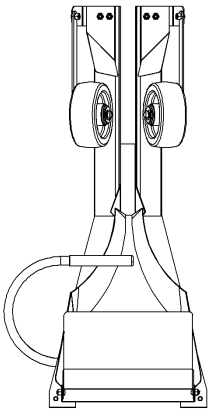


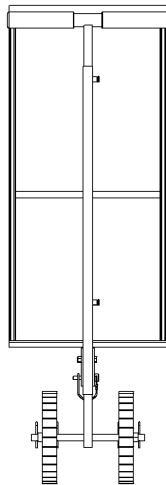
955 Benton Ave., Winslow, ME 04901 • Phone: 1-877-564-6697 • Fax: 1-800-738-6314
 Email: service@johnnyseeds.com • Web Site: Johnnyseeds.com



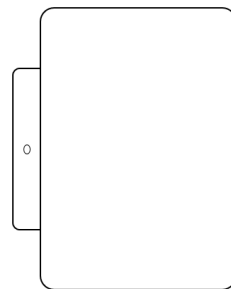
COMPONENTS AND PARTS:



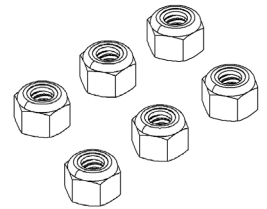
A. Lower Assembly



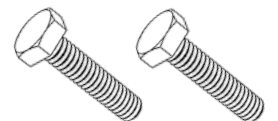
B. Upper Assembly



C. Scooping Tool



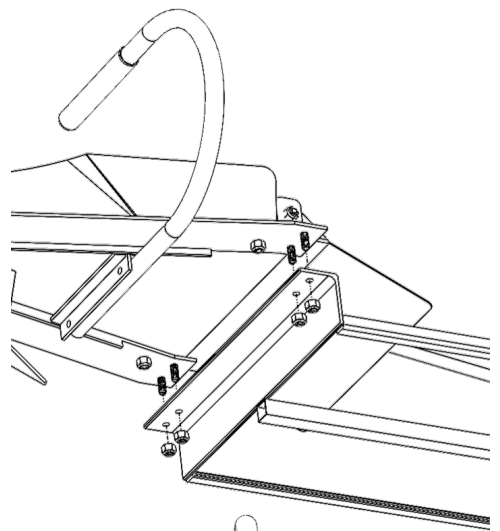
D. (6) 1/4"-20 Lock Nuts



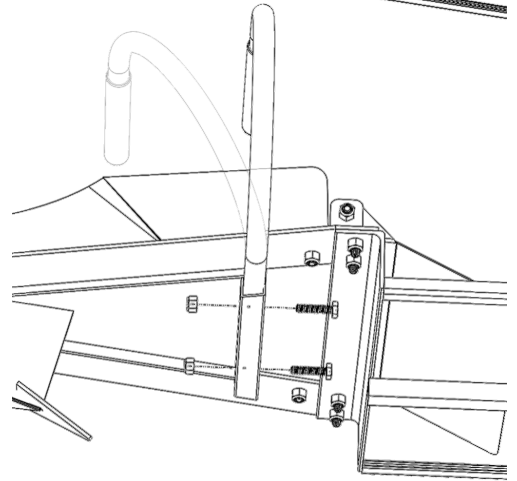
E. (2) 1/4"-20 x 1-1/8" Handle Bolts

ASSEMBLY INSTRUCTIONS:

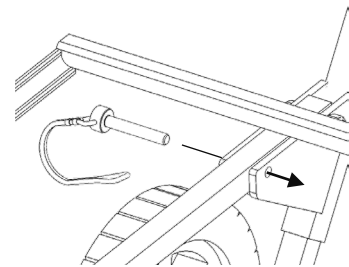
1. Attach Lower Assembly (A) to the Upper Assembly (B) utilizing 4 of the ¼"-20 Lock Nuts (D). Note the orientation of the tray support connecting flange.



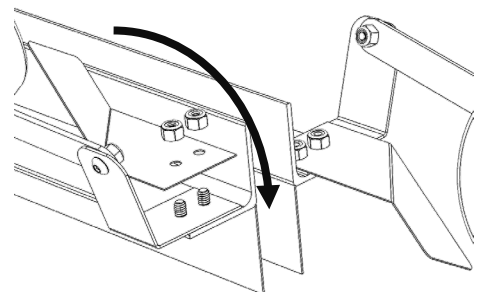
2. Rotate carry handle on the Lower Assembly (A) into position so that holes align, and secure with two ¼"-20 bolts (E) and ¼"-20 lock nuts (D).



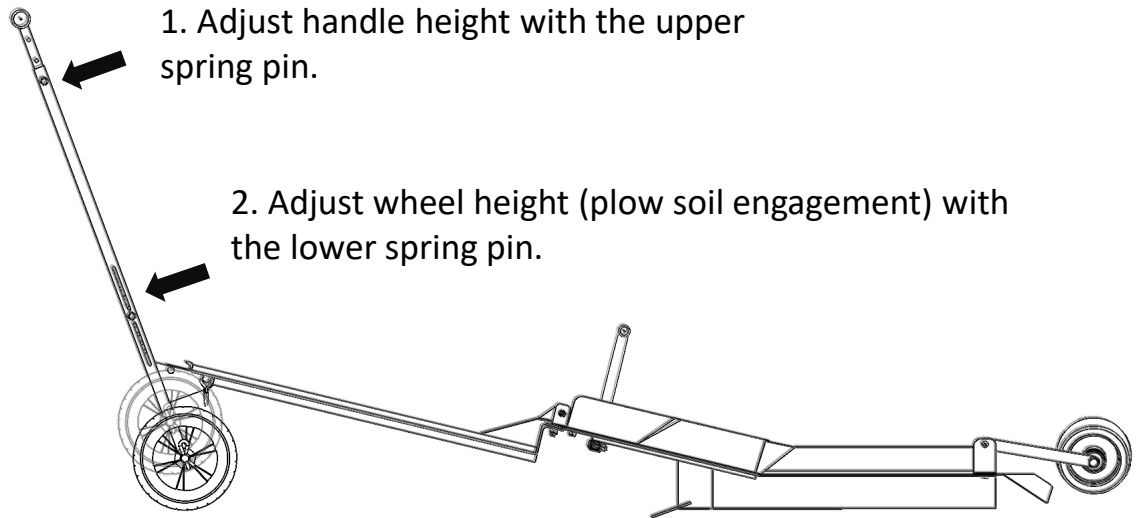
3. Swivel handle from collapsed position up into operational position and secure with the Wire Lock Clevis Pin, which is attached to the frame. Reverse this step for storage.



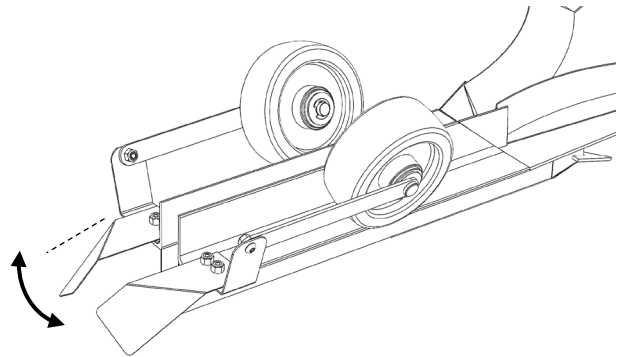
4. The metal closing sweeps are mounted in reverse to protect them during shipping. Remove both nuts, flip the sweeps over, and replace the nuts. Sweep should bend downward.



OPERATION & USE:



3. The closing sweeps can be bent to fine-tune the placement of the soil as well as the amount of soil moved.

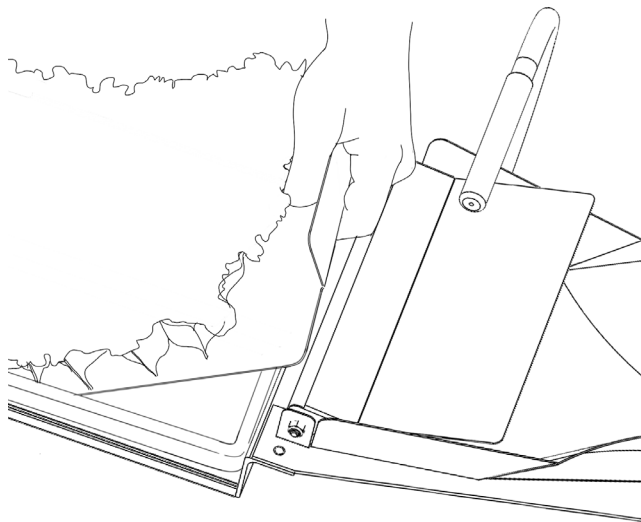


4. Prior to planting, paperpots should be moist but not over-saturated to prevent tearing.

5. Place tray in tray support frame.

6. Slide the Scooping Tool (C) underneath the first few rows of paper chain pots in the tray and gently lift, creating room for the transition ramp.

Fold the transition ramp down and under the paper chain pots so that the first few rows rest on top of it.

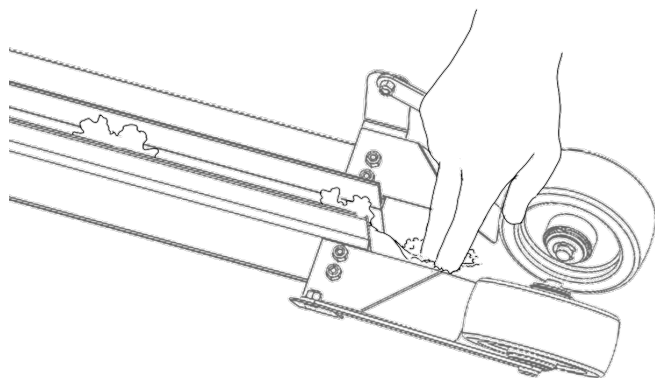


7. Position the transplanter at beginning of bed row and pull forward, roughly 15 inches, to create a starter furrow.

Remove the paper end of the chain and discard.

Pull the leading edge of the chain and feed it through the channel between the wheels.

Bury the end of the chain or affix the first paperpot to the ground with a landscape fabric staple to hold in place. Pull the transplanter forward, gently at first, so as not to tear or uproot the paper chains.



OTHER PAPERPOT PRODUCTS AVAILABLE FROM JOHNNY'S:

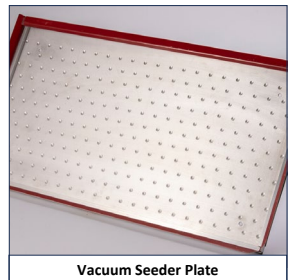
PRODUCT ID #	PAPERPOT SUPPLIES and ACCESSORIES
7602	Paperpot Spreader Bars and Frame
7585	Paper Chain Pots – 2-inch Spacing, 10 Count
7586	Paper Chain Pots – 2-inch Spacing, 150 Count
7587	Paper Chain Pots – 4-inch Spacing, 10 Count
7588	Paper Chain Pots – 4-inch Spacing, 75 Count
7589	Paper Chain Pots – 6-inch Spacing, 10 Count
7590	Paper Chain Pots – 6-inch Spacing, 75 Count
7063	Paperpot Vacuum Seeder
7657	Vacuum Seeder Plate A264
7658	Vacuum Seeder Plate B264
7659	Vacuum Seeder Plate C264
7660	Vacuum Seeder Plate D264
7661	Vacuum Seeder Plate E264
7690	Vacuum Seeder Plate F264
7691	Vacuum Seeder Plate G264
7953	Paperpot Seeder Frame
7956	Paperpot Seeder Plate – 3.5mm
8326	Paperpot Seeder Skip Plate – 2.8mm
7735	Paperpot Dibble Board – 264 Dibble



Paperpot Spreader Bars and Frame



Paperpot Seeder Frame



Vacuum Seeder Plate

CONNECTA® ROW PRO

PRODUCT ID # 8365

Great for finishing touches around rows of paperpot chains.

* Requires Connecta Handle Set (Product ID # 6785), sold separately.

